



DIECI



APOLLO



25.6

PERFORMANCE

Machine model	APOLLO 25.6
Maximum capacity	2500 kg (5512 lb)
Maximum lifting height on wheels	5,78 m (19 ft)
Maximum horizontal extension on wheels	3,25 m (11 ft)
Fork swiveling angle	129°
Pull-out force	7600 daN (17085 lbf)
Towing force	4400 daN (9892 lbf)
Maximum climb angle	40%
Unladen weight	4900 kg (10803 lb)
Maximum speed	30 km/h (18,6 mph)

BOOM

Machine model	APOLLO 25.6
Lifting	7,8 s
Getting off the basket	4,1 s
Extension	6,1 s
Retraction	3,4 s
Forward swiveling	3,5 s
Reverse swiveling	2,2 s

ENGINE

Machine model	APOLLO 25.6
Brand	Kubota
Nominal power	54,6 kW (73 HP)
@rpm	2600 rpm
Operation	4-stroke
Injection	Electronic, Common rail
Number and arrangement of cylinders	4, Vertical in line
Displacement	3331 cm ³ (203 in ³)
Consumption	231 g/kWh (380 lb/Hp h)
@rpm	2600 rpm
Emission standards	Stage IIIB/Tier 4i
Exhaust gas treatment	Particulate filter (DPF)
Cooling system	Liquid
Intake	Turbo compressor

DIFFERENTIAL AXLES

Machine model	APOLLO 25.6
Axles type	2 steering, with 4 planetary reduction gears
Type of steering	4 wheels / transversal / 2 wheels
Front axle	Rigid
Rear axle	Swinging
Service braking	Oil bath on front axle
Parking braking	Negative actuation with electrical control

HYDRAULIC SYSTEM

Machine model	APOLLO 25.6
Hydraulic pump type	Gear pump for power steering and movements
Hydraulic pump capacity	80 L/min (21,1 gal/min)
Max. operating pressure	23,0 MPa (3336 psi)
Distributor control	4in1 proportional Joystick

REFUELING

Machine model	APOLLO 25.6
Hydraulic system (total)	70,0 L (18,49 gal)
Diesel tank	80,0 L (21,13 gal)

TRANSMISSION

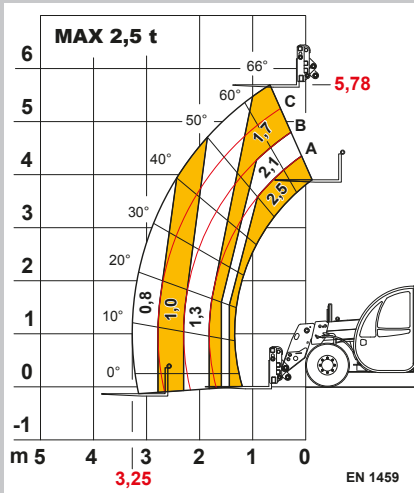
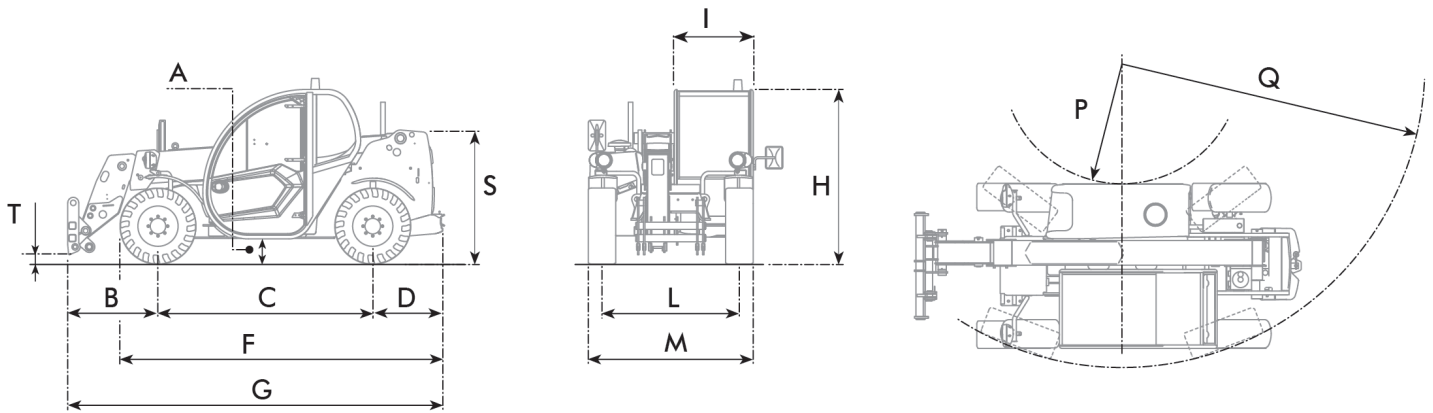
Machine model	APOLLO 25.6
Transmission type	Single speed Hydrostatic transmission with variable displacement pump
Hydraulic motor	Hydrostatic with continuous automatic adjustment
Reversal	Electro-Hydraulic
Inching	With hydraulic pedal for controlled forward movement

TIRES

Machine model	APOLLO 25.6
Standard tires	12x16.5"
Optional tires	12x18"

DIMENSIONS

Machine model	APOLLO 25.6
A	270 mm (10,6 in)
B	985 mm (38,8 in)
C	2350 mm (92,5 in)
D	765 mm (30,1 in)
F	3535 mm (139,2 in)
G	4125 mm (162,4 in)
H	1950 mm (76,8 in)
I	1850 mm (72,8 in)
L	1500 mm (59,1 in)
M	1850 mm (72,8 in)
P	1460 mm (57,5 in)
Q	3555 mm (140 in)
S	1433 mm (56,4 in)
T	200 mm (7,9 in)



Apollo 25.6

A&Y Equipment Ltd

01789 414525 | sales@aandygroup.com | www.aandygroup.com